

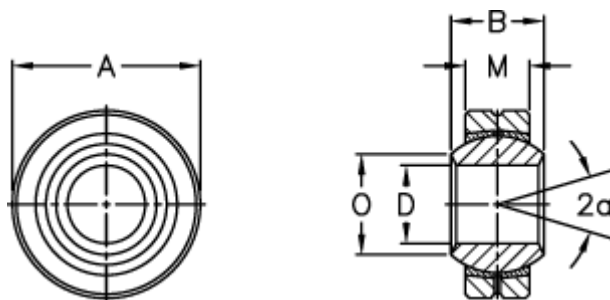
# Data Sheet



Article number: 03400022

Description: Fluro Rod end GL 22

## Measures



A	= 50	Static load C0 (kN) = 114
a (degrees)	= 15	Weight = 270
B	= 28	
D	= 22	
Dynamic load C (kN)	= 29	
M	= 20	
O	= 25.8	
Permissible rpm	= 250	